

FIREBOX, FASCIA, VZCC & FLUE PACKAGE



Ultra Built-In VE Package

Designed for installation into a timber framed cavity with the Ultra Insert VZCC and ECO Built-In flue kit. Firebox construction of solid 6mm NZ made steel and firebrick lined for maximum radiant heat. The whisper-quiet convection fan enhances air flow around the inner cabinet of the firebox increasing the transfer of heat into the room to maximise efficiency. Fascia finished in gloss black enamel with optional fascia base rail if required.

Model	Ultra low emission
Peak output	15kW
Heating area	150m ² / 3 bedroom home
Finish	Gloss black enamel
MfE#	194338 (NES) / 194337 (ECan CM1)
Emission	0.42gms (NES) / 31.0mg/MJ (ECan CM1)
Efficiency	66% (NES)
SKU	280-0580



Package includes:
 Ultra Insert firebox, gloss black enamel fascia,
 Ultra Insert VZCC and ECO Built-In flue kit

Optional fascia rail:
 Ultra Insert fascia base rail SKU 250-0997

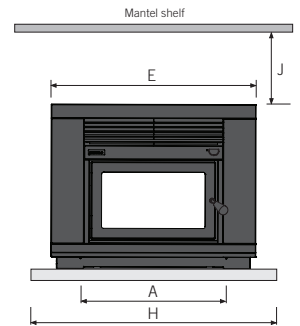
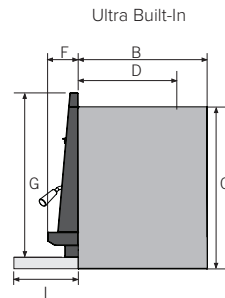


ECO FLUE

Maximise the performance and efficiency of your wood fire

SPECIFICATIONS

Firebox Width	Firebox Depth	Firebox Height	Flue Centre	Fascia Width	Fascia Depth	Fascia Height	Min. Floor Protector Width	Min. Floor Protector Projection	Mantel Clearance
A	B	C	D	E	F	G	H	I	J
690	571	704	405	810	120	654	825	440	450
				Width		Depth		Height	
Fascia dimensions (mm)				810		120		654	



Please note: All measurements detailed above are in (mm). Specifications were correct at the time of printing but may alter and those detailed should be used only as a guide. If in doubt, please consult your local Metro Fires agency or visit metrofires.co.nz.

