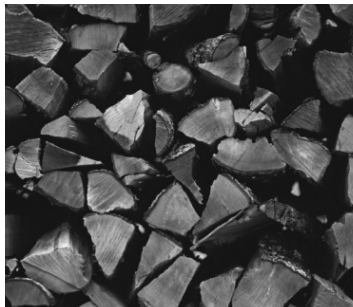


Standard Insert Flue System Installation Sheet



metrofires

Standard Insert Flue System



19 Oropuriri Road // New Plymouth 4312
info@metrofires.co.nz // www.metrofires.co.nz

⚠ WARNING! Important Information

THIS FLUE KIT HAS BEEN MANUFACTURED IN ACCORDANCE WITH AS/NZS 2918.

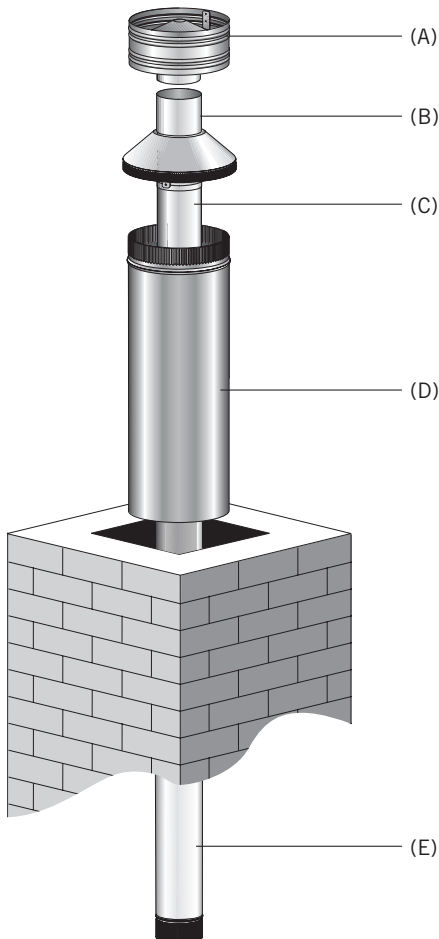
TO ENSURE SAFETY THIS FLUE KIT MUST BE INSTALLED AS OUTLINED IN THESE INSTRUCTIONS. THE APPLIANCE TO WHICH IT IS CONNECTED MUST BE INSTALLED IN ACCORDANCE WITH ITS MANUFACTURERS SPECIFICATIONS AND AS/NZS 2918.

- These installation instructions are for tested appliances only.

⚠ CAUTION! Important Information

- Mixing flue system components from different sources or modifying the dimensional specification of components may result in hazardous conditions. Where such action is considered, the manufacturer should be consulted in the first Instance.
- It is the responsibility of the installer to ensure that the installation of this flue kit complies with AS/NZS 2918, the appliance manufacturers specifications for flue pipe installation and that the relevant building codes are adhered to.
- Bends and extensions to the length of a flue system are permitted (AS/NZS 2918 4.1)

Installing the flue system



SFP Ltd manufacture chimney flashing plates to dimensions or to templates supplied. It is the responsibility of the installer to ensure that the requirements of New Zealand Code Clause E2 (External Moisture) are complied with.

Standard Insert Flue System Components

- (A) 1 x Anti down-draught cowl (ADD)
- (B) 1 x Combination bracket casing cover
- (C) 1 x 600mm length of 150mm diameter stainless steel flue pipe
- (D) 1 x 600mm x 250mm diameter galvanised outer casing
- (E) 3 x 1200mm length of 150mm diameter stainless steel flue pipe

- 1) Ensure the chimney is clean and free of soot. Check the chimney for structural soundness.
- 2) Install wood fire into fireplace according to manufacturers specifications.
- 3) By looking down chimney, check that heater flue outlet is in line with chimney. If not an offset or bends will be required.
- 4) Assemble flue pipes together ensuring seams are in line. Joints must be compressed fully and secured with three Monel Steel rivets. Refer to the supplier of the wood fire and use flue pipe sealant if recommended.
- 5) Lower assembled flue pipe, crimped end down, into wood fire flue spigot. On some installations it may be desirable to assemble flue pipe lengths as they are lowered into the chimney.
- 6) Secure chimney flashing plate and/or outer casing to chimney with suitable fasteners and weather seal to the chimney top with mortar and/or silicone.
- 7) Ensure the flue pipe is either flush with or extends above the top of the outer casing by no more than 15mm.
- 8) Push casing cover (with spigot inside flue pipe) down onto the outer casing. The three locating brackets with holes must be on the outside of the outer casing and are secured using three rivets.
- 9) Fit cowl but do not secure, as removal for flue cleaning will be necessary. Deform or ovalise the stub of the cowl to ensure it is a tight friction fit.
- 10) Leave all installation and operating instructions with owner.