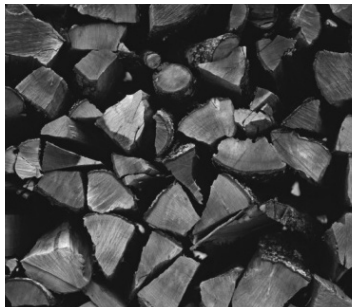


# Standard Flue System Installation Manual



# metrofires

## Standard Flue Systems

Standard flue system components.....	2
Standard flue system installation .....	3
Flue system minimum heights.....	4

## **⚠ WARNING!** Important Information

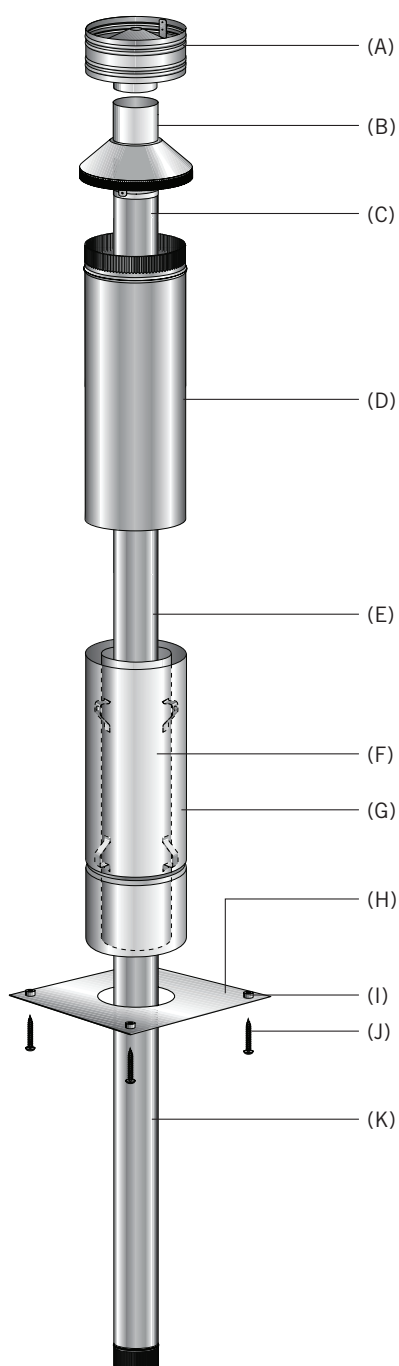
**THIS FLUE KIT HAS BEEN MANUFACTURED IN ACCORDANCE WITH AS/NZS2918:2001 & TESTED TO APPENDIX F. TO ENSURE SAFETY THIS FLUE KIT MUST BE INSTALLED AS OUTLINED IN THESE INSTRUCTIONS AND THE APPROPRIATE REQUIREMENTS OF THE RELEVANT BUILDING CODE OR CODES.**

- Wood fire and flue clearances from combustible walls must be in accordance with the wood fire manufacturer's specifications and AS/NZS2918:2001.
- These installation instructions are for tested appliances only.

## **⚠ CAUTION!** Important Information

- Mixing flue system components from different sources or modifying the dimensional specification of components may result in hazardous conditions. Where such action is considered, the manufacturer should be consulted in the first Instance.
- It is the responsibility of the installer to ensure that the installation of this flue kit complies with AS/NZS2918:2001, the appliance manufacturers specifications for flue pipe shield and ceiling plate and that the relevant building codes are adhered to.
- Bends and extensions to the length of a flue system are permitted (AS/NZS2918:2001 4.1)

## Standard flue system components



### Standard Flue System Components

- (A) 1 x Anti down-draught cowl (ADD)
- (B) 1 x Combination bracket casing cover
- (C) 1 x 405mm length of 150mm diameter stainless steel flue pipe
- (D) 1 x 1000mm x 250mm diameter galvanised outer casing slip extension
- (E) 1 x 1200mm length of 150mm diameter stainless steel flue pipe
- (F) 1 x 1190mm x 200mm diameter galvanised inner casing
- (G) 1 x 1200mm x 250mm diameter galvanised outer casing
- (H) 1 x ceiling plate (345mm x 345mm)
- (I) 4 x ceramic spacers
- (J) 4 x self tapping screws
- (K) 2 x 1200mm lengths of 150mm diameter stainless steel flue pipe painted metallic black

# Installing the flue system

1. Locate the wood fire in its proposed position and mark a point on the ceiling that is directly above the centre of the wood fire's flue spigot. Check that the wood fire's location allows the outer casing to clear all structural roof timbers.
2. Cut a 250mm square hole in ceiling. Directly above cut a hole in roof to accommodate the outer casing.
3. Fit timber nogs around ceiling. i.e. Nogs form a 250mm square aperture that allows air to circulate freely over the outer casing surface.
4. Position the outer casing so that it is flush with the underneath of the ceiling and protrudes through the roof the required height. Please Note: AS/NZS2918:2001 4.9.1(a) states, 'the flue pipe shall extend not less than 4.6m above the top of the floor protector'. (Refer to Diagram B).
  - a) If the flue pipe is within 3 metres of the ridge, the flue pipe must protrude at least 600mm above the ridge of the roof.
  - b) If the distance from the ridge is more than 3 metres, the flue pipe must protrude at least 1000mm above roof penetration.
  - c) The flue pipe must be more than 3 metres from any nearby structure. (Refer Diagram C).

Additional inner and outer casing may be required to ensure the following:

- i) The correct minimum roof penetration height.
- ii) Sufficient overall height to encase the flue pipe which must extend a minimum of 4.6 metres from the floor protector. Refer Diagram B.

*Please note: The inner casing should extend 200mm above roof penetration. Do not secure the outer casing slip extension onto the outer casing, as final adjustment will be required when fitting cowl assembly. See Paragraph 11.*

5. Fix an appropriate flashing around the outer casing to seal onto the roofing material. Refer to the manufacturer's recommendations for correct fitting.

*Please note: On iron roofs, fixings such as metal angle brackets (approximately 25mm x 25mm) can be fitted under the flashing to securely fix the roof to outer casing.*
6. Place the ceiling plate over wood fire flue spigot, ensuring the folded edges are facing up towards the ceiling.
7. Position the bottom length of flue pipe (crimped end downwards) into wood fire flue spigot. Refer to the manufacturer of the wood fire and use flue pipe sealant if recommended.
8. Assemble the flue pipes together ensuring seams are straight, offsetting the seams will ensure a neat fit. Flue pipes must be assembled with crimped ends down (towards wood fire). Secure each joint with a minimum of 3 monel steel rivets equally spaced around the joint. If using Hi-Therm flue pipe the protective wrapping should be left on the flue pipe during installation.
9. From the roof lower flue pipe through outer casing into the bottom flue pipe securing with three monel rivets.
10. Check that the flue pipe spacing brackets inside the inner casing are correctly positioned and then from the roof slide the inner casing into the outer casing until the brackets rest on to the internal swage ring of the outer casing, this will ensure the inner casing is the correct 12mm above ceiling level. Check the inner casing when correctly positioned extends a minimum of 200mm above the roof penetration.

11. Before securing the outer casing slip extension to the outer casing with 3 rivets, ensure the flue pipe is either flush with or extends above the top of the outer casing slip extension by no more than 15mm. Adjust slip extension to obtain this measurement.
12. Push casing cover (with spigot inside flue pipe) down onto the outer casing slip extension. The 3 locating brackets with holes must be on the outside of the outer casing slip extension and are secured using 3 rivets.
13. Fit cowl but do not secure, as removal for flue cleaning will be necessary. Deform or ovalise the stub of the cowl to ensure it is a tight friction fit.
14. Fasten ceiling plate to ceiling using screws and ceramic spacers provided. Ensure an even air gap around flue pipe when fixing. Remove protective plastic from ceiling plate.

*Please note: A 12mm air gap between ceiling plate and ceiling must be maintained.*
15. Leave all installation and operating instructions with the owner.

## Hi-therm stainless steel flue pipe

- Hi-Therm flue pipe is a high temperature, metallic black finish flue pipe designed for use on slow combustion, solid fuel heaters.
- Hi-Therm flue pipe is ideal for heaters that have high flue temperatures and that also can be operated under circumstances that may produce creosoting of Flue Pipes for short periods of time, ie, on refuelling and with air control in shut or low position. Clean air guidelines must be observed.
- Hi-Therm flue pipe is a maintainable surface finish product.

## Conditions of use

The wood fire must be operated in accordance with the manufacturer's instructions. Clean air guidelines and regulations must be observed.

- Hi-Therm flue pipe must be swept by mechanical means only. (We recommend mixed head or polypropylene brushes). Under NO circumstances should chemical flue cleaners, (soot destroyers) or steel chimney brushes be used.
- Hi-Therm flue pipe should not be used on a wood fire burning treated or wet (unseasoned) wood. Only use newspaper when lighting the fire; never burn colour printed brochures or junk mail.
- Hi-Therm flue pipes must be secured together with a minimum of three Monel Steel rivets equally spaced around the joint.

The paint finish appearance may change, depending on heater operation and is designed to be a maintainable finish. To maintain paint finish or touch up use only genuine Pioneer Aerosol. (Refer label on packaging).

Hi-Therm flue pipe can be touched up using only Pioneer metallic black aerosol paint.

Hi-Therm flue pipe must be installed in accordance with this installation instructions, using flue componentry supplied by SFP. It is the responsibility of the installer to ensure no water leaks into the Hi-Therm Flue System.

The Stainless Steel Flue Pipe used in 'Hi-Therm Stainless Steel Flue Pipe' is warranted for five years, providing the above conditions are met.

## FAILURE TO OBSERVE THESE CONDITIONS MAY NEGATE ALL PRODUCT WARRANTIES

# Minimum Heights for all Metro Flue Systems (In compliance with AS/NZS2918:2001)

This Standard Flue System complies with AS/NZS2918:2001 and its 4.6 metre height requirement (4.6 metre minimum from the top of the floor protector to the top of the flue pipe). However as external structures and the proximity of other buildings will differ for every installation, some situations will require additional flue height to comply with the standard.

Please refer to Diagrams C and D below right. (All measurements in mm)

*Please note: AS/NZS2918:2001 Section 4, details flue system installation requirements in full.*

