

Bay Series Installation Clearances & Specifications

Installation Clearances

Minimum clearances shown are in mm, and all figures for clearances are to combustible materials. All Metro pellet fires are tested using all applicable procedures and equipment under AS/NZS2918:2001. Specifications were correct at the time of printing, but may alter and those detailed within should be used only as a guide. Refer to the installation and operation manual supplied with every Metro pellet fire or if in doubt consult your Metro retailer.

We recommend sufficient space be provided (minimum 500mm) on each side of the pellet fire to service the unit. If this is not possible, provision must be made available to remove the unit for servicing.

Optional Direct Vent Combustion Air Supply

The Metro Bay has a direct vent option which when installed draws the combustion air from outside the home, further improving the

efficiency of the pellet fire. This is recommended as the Metro Bay can use up to 24 cubic metres of room air every hour.

There are three methods of supplying the pellet fire with combustion air. They are as follows;

- DV WALL KIT ducts through an outside wall
- DV FLOOR KIT ducts through the floor directly behind the fire
- DV CEILING KIT ducts into the wall and up into the ceiling cavity

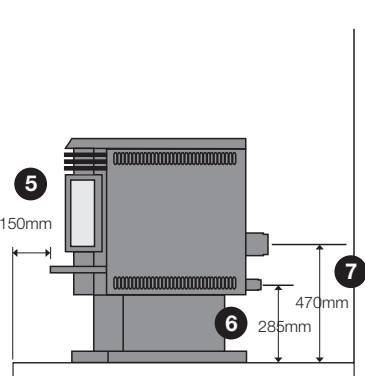
Warranty

Metro Bay pellet fires are covered by a full 12 month warranty and a 5 year conditional warranty on the steel firebox. This warranty is subject to the unit being operated and maintained as detailed in the operation manual.

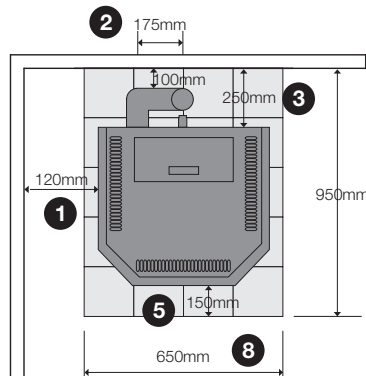
Model Clearances	1	2	3	4	5	6	7	8	9	10
Metro Bay	120	175	*100/250	120	150	285	470	650	N/A	N/A
Metro Bay Insert	N/A	175	N/A	N/A	531	42	215	1050	330	300

*Please Note: Measurement 3 details the vent system using a wall or ceiling kit. 100mm = Vent through wall, 250mm = Vent through ceiling.

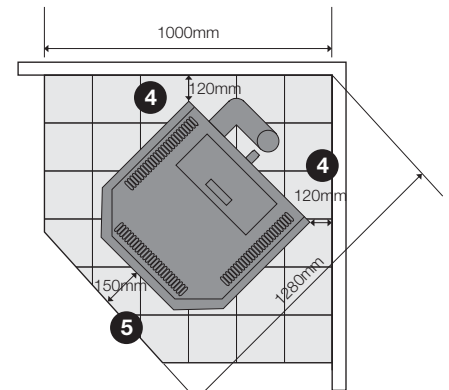
Model Specifications	Width	Height	Depth	Weight	Output/Kw's	Clean Air	Emissions	Efficiency
Metro Bay	625	775	620	92kg	10kW	Yes	0.6	88%
Metro Bay Insert	535	497	400	70kg	10kW	Yes	0.5	85%
Metro Bay Insert Fascia	1015	755	25	5kg				



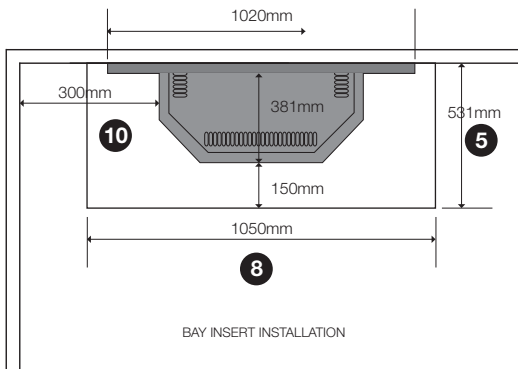
BAY FREESTANDING



BAY FREESTANDING



BAY FREESTANDING
CORNER INSTALLATION



BAY INSERT INSTALLATION

NOTE: "If a timber mantelshelf exists above the pellet fire opening, it should be a minimum of 452mm above the top of the pellet fire"

All measurements listed are correct at time of printing.



This brochure is printed using soya based inks and is printed on paper sourced from sustainable plantation wood and is Elemental Chlorine Free (ECF). The paper manufacturer is one of the world's leading paper producers and operates under the coveted ISO 14001 Environmental Certification and (IPPC) Integrated Pollution Prevention Control.

PIONEER
MANUFACTURING LIMITED

Mamaku Street | PO Box 11 | Inglewood | New Zealand
Phone 06-756 6520 | Fax 0800 HOTFAX - 0800 468 329
www.metrofires.co.nz | info@metrofires.co.nz

EdilKamin Installation Clearances & Specifications

Installation Clearances

Minimum clearances shown are in mm, and all figures for clearances are to combustible materials. All EdilKamin pellet fires are tested using all applicable procedures and equipment under AS/NZS2918:2001. Specifications were correct at the time of printing, but may alter and those detailed within should be used only as a guide. Refer to the installation and operation manual supplied with every EdilKamin pellet fire or if in doubt consult your Metro retailer.

Rear Clearance Options

The 100mm rear clearance measurement "4" is based on the EdilKamin pellet fire having the vent system penetrating the rear wall behind the pellet fire and is the minimum clearances required for this type of installation.

Please Note: If the vent system is going to be visible in the room and exit through the ceiling, a minimum clearance of 80mm is required from the rear surface of the vent system to a combustible wall. A 250mm rear clearance is therefore recommended. Also consider the thickness of the scotia as this will determine how close the vent can be to the wall.

Optional Direct Vent Combustion Air Supply

The EdilKamin pellet fires have a direct vent option which when installed draws the combustion air from outside the home, further improving the efficiency of the pellet fire. This is recommended as the Iris Plus and Little pellet fires can use up to 24 cubic metres of room air every hour.

There are three methods of supplying the pellet fire with combustion air. They are as follows;

- DV WALL KIT ducts through an outside wall
- DV FLOOR KIT ducts through the floor directly behind the fire
- DV CEILING KIT ducts into the wall and up into the ceiling cavity

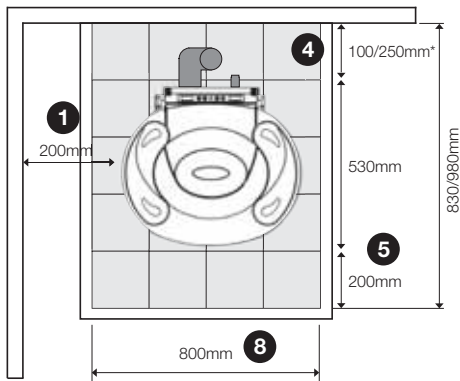
Warranty

Your EdilKamin Pellet fire is covered by a full 12 month warranty, and a three year firebox warranty. This warranty is subject to the unit being operated and maintained as detailed in the operation manual.

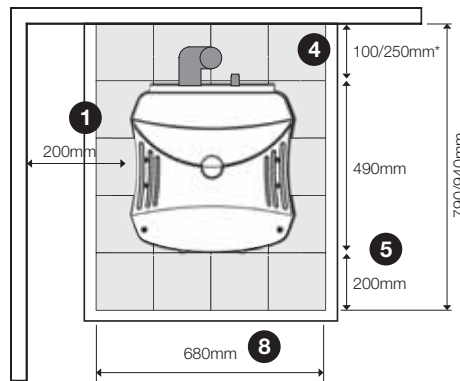
Model Clearances	1	2	3	4	5	6	7	8	9
EdilKamin Iris Plus	200	77	106	100/250*	200	320	375	800	160
EdilKamin Little	200	77	106	100/200*	200	315	370	680	160

*Please Note: Measurement 4 details the vent system using a wall or ceiling kit. 100mm = Vent through wall, 250mm = Vent through ceiling.

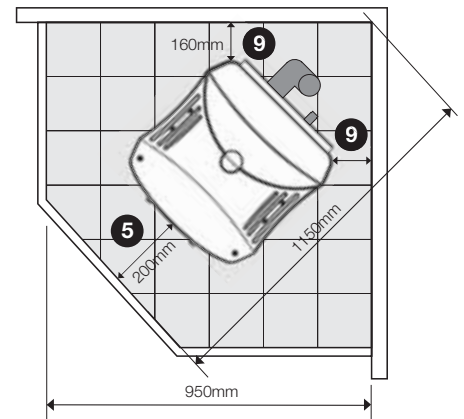
Model Specifications	Width	Height	Depth	Weight	Output/Kw's	Clean Air	Emissions	Efficiency
EdilKamin Iris Plus	600	950	530	140kg	8kW	Yes	0.61	70.6%
EdilKamin Little	480	940	470	136kg	5kW	Yes	0.38	73.8%



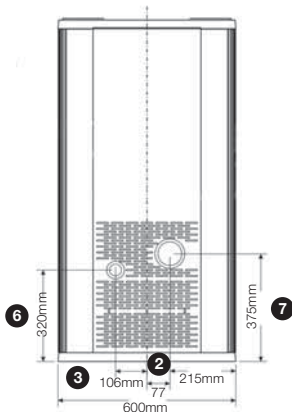
IRIS PLUS



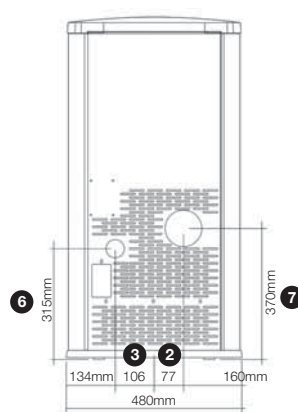
LITTLE



IRIS PLUS/LITTLE
CORNER INSTALLATION



IRIS PLUS (REAR PROFILE)



LITTLE (REAR PROFILE)

Pellet Fire Catalogue



metrofires



THE GREEN CHOICE

PELLET FIRES: Clean and green

The environment is not just ours; it's our children's and the generations to come. Many decisions you make on a daily basis affect our planet and the type of heating you install in your home may be one of the biggest contributions you can make to our environment. Climate change is real, and everyone can help to make a difference.

Pellet fires are super clean burning and offer exceptional heating efficiencies. The pellet fire has been designed to heat your home by both radiation and convected air movement from the front grill. The heat is generated by automatic pellet combustion in the firebox.

Pellet fires efficiently, conveniently and cheaply convert biomass in the form of wood pellets to heat, while giving off almost no wood smoke, helping to protect the environment. The fuel is clean burning and uses highly efficient wood pellets made from recycled wood waste. This renewable fuel is compressed into a dense pellet allowing for maximum heat to be released. The wood pellets are fed into the pellet fire as needed and the fire temperature is set by the microprocessor controlling the feed rate of the pellets.

The use of biomass fuel is an almost 'carbon neutral' process. The carbon dioxide released by burning is balanced by that absorbed by the tree during its growth. The ash from the wood pellets is rich in minerals and can be recycled to fertilise your gardens.

Pellet fires are so versatile they can be retro-fitted into existing fireplaces or simply vented through an outside wall. Internal wall situations can easily be accommodated with a vertical flue or a completely built-in installation. Aesthetically, pellet fires look good in both traditional or modern homes. The pellet fires' convection fan means that your rooms will heat quickly and evenly.

These modern fires use sophisticated clean burn methods and can be installed in houses that do not allow for traditional wood or open fires. Some models also have optional remote controls for electronic ignition and temperature control making them safe, attractive and very easy to use.

These pellet fires brought to you by Metro, guarantee heating management that is practical and comfortable. Come home today to find immediate warmth and a welcoming environment.



Grey Ceramic



Red Ceramic



Soapstone



EdilKamin Iris Plus

- Cast iron structure
- Designed to heat areas up to 150m²
- Iris Plus heat output is 3.4 to 8kW's with 3 power settings
- 7 day/24 hour timer
- Compact remote control option is available
- Auto clean, Easy control and Fire control system management
- Iris Plus available in grey or red ceramics, or soap stone

EdilKamin Little

- Cast iron structure
- Designed to heat areas up to 120m²
- Little heat output is 3.4 to 5.8kW with 3 power settings
- 7 day/24 hour timer
- Compact remote control option is available
- Auto clean, Easy control and Fire control system management

EDILKAMIN SERIES

Convenience Heating – The EdilKamin Series brought to you by Metro

Metro is proud to bring you the Italian made, EdilKamin range of pellet fires. With modern European styling and quality engineering that you would expect from an ISO 9001 certified manufacturer like EdilKamin.

The EdilKamin pellet fires are designed with advanced technology for ecological heating and energy saving.

All EdilKamin pellet fires are designed to meet and exceed the most stringent quality, emissions, performance, and safety standards, offering safety features such as a circulation fan override, high temperature sensor and an exhaust sensor as standard.

EdilKamin pellet fires offer convenience heating because they allow combustion autonomy. This autonomy

is monitored electronically by the latest generation technology that adjusts normal function, varied for the different time periods during the day, and on the different days of the week, according to your requirements.

Programmable 7 day/24 hour timers are standard on both models. Compact remote control options are also available with both models. Virtually every aspect of performance is programmable, making the EdilKamin pellet fires technically superior to most others on the market.

EdilKamin pellet fires guarantee heating management that is practical and comfortable. Come home to find immediate warmth and a welcoming environment.



Iris Plus Control Panel



Little Control Panel



EdilKamin Pellet Hopper



3 coloured trim panel options (soapstone illustrated)



Metro Bay

- 10 tube heat exchanger, delivering forced hot air
- Variable speed heat exchanger blower
- Designed to heat large areas up to 200m²
- Simple fully automatic push button start system
- Unique (LMMS) makes it easier to monitor system functions
- Stainless steel or gold trim kits are available as an up-grade
- Large capacity removable ash reservoir reduces cleaning
- Finished in satin black high temperature paint



Metro Bay Insert

- 10 tube heat exchanger, delivering forced hot air
- Variable speed heat exchanger blower
- Designed to heat large areas up to 200m²
- Simple fully automatic push button start system
- Unique (LMMS) makes it easier to monitor system functions
- Stainless steel or gold trim kits are available as an up-grade
- Finished in satin black high temperature paint

BAY SERIES

The new flame – The Bay Series brought to you by Metro

All Metro Bay pellet fires are designed to meet and exceed the most stringent quality, emissions, performance, and safety standards, offering safety features such as a circulation fan override, high temperature sensor and an exhaust sensor as standard.

A key feature on Metro Bay pellet fires is the Light Module Monitoring System (LMMS) which at a glance, shows the system in operation while acting as a trouble-shooting guide to ensure your safety and peace of mind.

Optional features include a wall thermostat for controlled heating and optional stainless steel and gold trims kits.

- 22kg hopper to hold large amounts of pellets
- Adjustable fuel feed rate of 900 grams up to 2kgs per hour
- Negative pressure burn chamber prevents spillage of smoke and fumes into the home
- Electronic control system for improved performance
- Advanced glass saver door screen – reduces cleaning
- Automatic safety shut-off when the unit runs out of fuel
- Heat exchanger blower senses amount of heat and adjusts blower speed accordingly
- Optional thermostat controller



Optional Gold and stainless steel trim kits (Gold illustrated)



Metro pellet fire hopper



Light Module Monitoring System



Optional Thermostat Controller